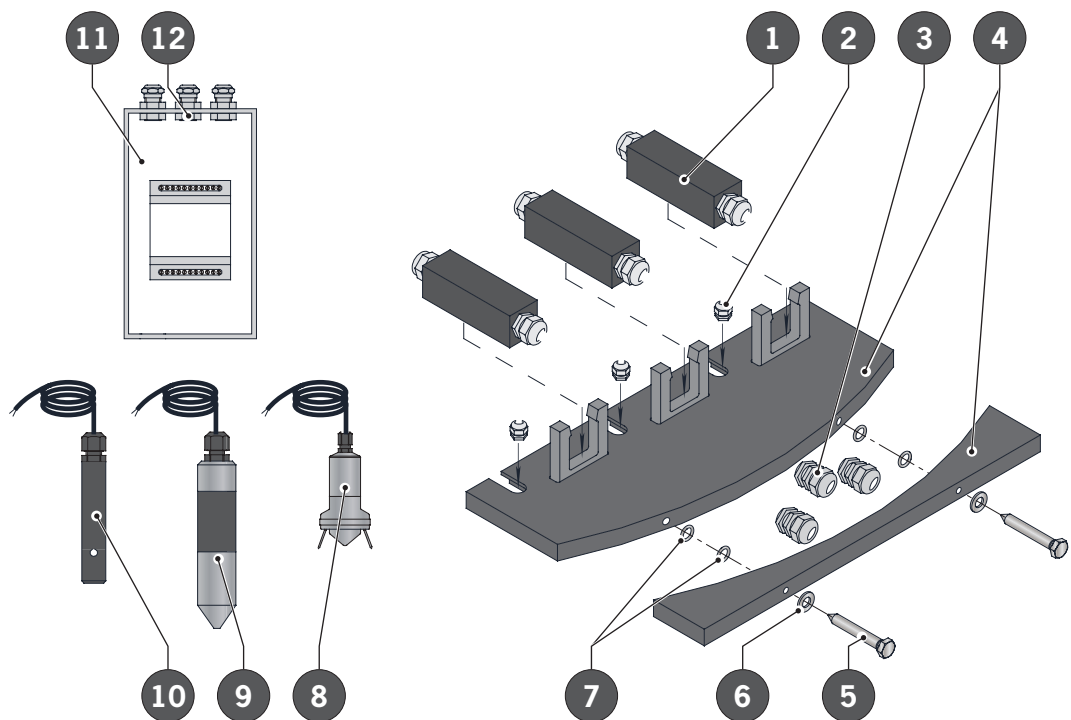


Securat alarm device

Accessories for Oleopator P/Oleopass P

1.1 Components

The components are described in the following illustration which allows for clear assignment to descriptions in the following chapters.



1 = Cable connector
2 = Cable gland PG7
3 = Cable gland M20
4 = Sensor support
5 = Bolt

6 = Disk
7 = Sealing, O-ring
8 = Sludge level sensor*
9 = Oil level sensor*
10 = Accumulation sensor*

11 = Monitoring device with housing
12 = Cable gland
* each 5 m connecting cable

Check supplied parts for their undamaged condition. Quantity of parts 1 – 3, 8 – 10 and 12 depends upon design.



WARNING

Electricity hazard

- Have terminal connection of sensors and mains connection of monitoring device carried out by an electrician

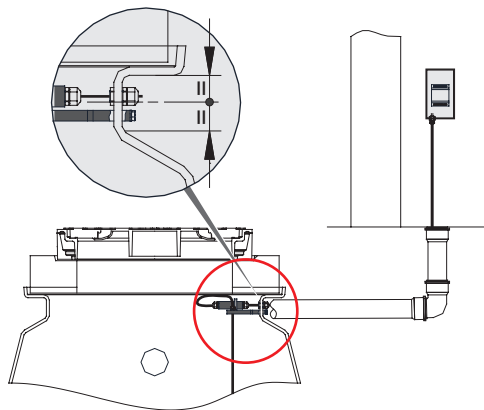


For a safe and proper use, read operating manual and further product-related documents thoroughly.
Hand on to end user and keep up to product disposal.

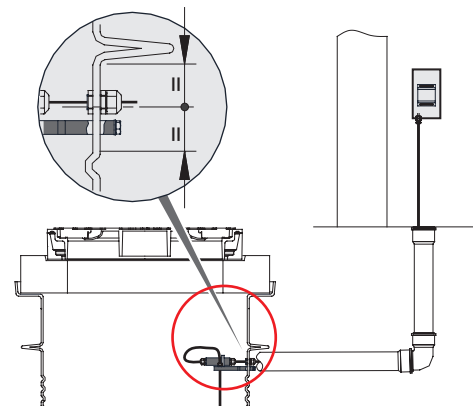
1.2 Fitting position of sensor support

The following illustrations depict correct fitting position of sensor support with separators without and with top system. The sensor cables or the extension cables (optional) are laid up to the monitoring device through an in situ empty tube.

Separator without top system

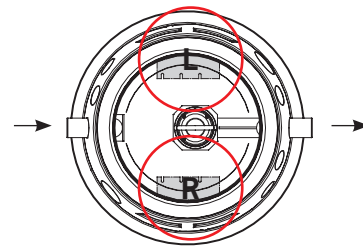


Separator with top system



The preferred fitting positions are marked by red circles.

CAUTION Do not mount support above inlet or outlet.

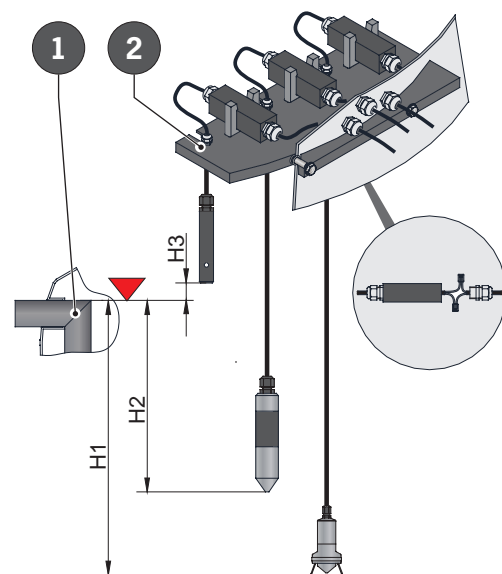


1.3 Sensor setting

The adjacent illustration depicts the completely mounted sensor support. The detail shows the extension of the sensor cable. By means of the cable gland (2), the different sensors must be adjusted to the respective measurement H1 – H3, referring to ▼ = upper edge of inlet submersible pipe (1).

(For dimensions, see below table).

Nominal size NS	Sluge trap [l]	Setting dimensions		
		H1 [mm]	H2 [mm]	H3 [mm]
NS 3	450	770	280	35
NS 3	670	870	280	35
NS 3	950	970	280	35
NS 6	660	880	330	15
NS 6	1210	1180	330	15
NS 8	850	1000	350	15
NS 10	1080	1180	350	15



ACO Passavant GmbH

Im Gewerbepark 11c
36457 Stadtlengsfeld
Tel.: + 49 (0) 3 69 65/81 9 -0
Fax: + 49 (0) 3 69 65/81 9 -3 61
www.aco.com

