

Polymer concrete curb units designed to provide safety containment bund

Choice of sizes - 304.8 mm x 60.9 mm (12" w x 2.4" h) or 609.6 mm x 101.6 mm (24" w x 4" h) curbs offer different containment capacities to suit application requirements.

Polymer concrete - durable, yet lightweight, material made from polyester resin binder reinforced by mineral aggregates and fillers. Provides up to four times the compressive strength of cement concrete.

Interlocking end profiles - ensure correct alignment of units and create 4.7 mm (3/16") gap for injection of adhesive to ensure units are fully sealed.

Retrofit - units are bonded to floor surface using appropriate adhesives. Ideal for new build or retrofit applications.

Sloped sides - allow slow moving forklifts and vehicles to drive over the curb to access the inside of the bunded area.



ACO Spill Containment Curbing provides permanent diking protection for hazardous spill problems covering wide areas.

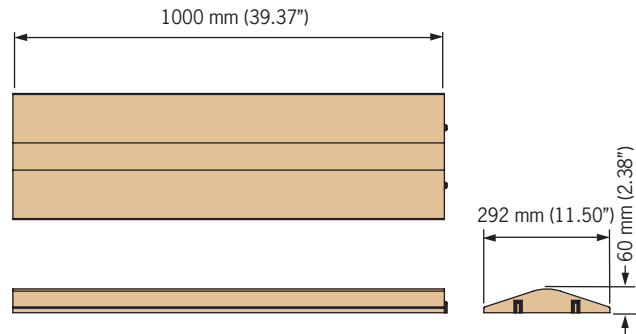
Units can be used across doorways to chemical containment rooms or used to create a fully contained, bunded area for industrial facilities where chemicals are used and stored.

Polymer concrete is a composite material consisting of a variety of mineral fillers bound together with a polymer resin. It offers a high mechanical strength and is highly resistant to most acids and alkalis, therefore eliminating the need for expensive coatings.

Curb Type	Part No	Length mm (in)	Width mm (in)	Weight kg (lbs)
Polymer concrete				
Type I - 58.4 mm (2.3") high	05730	1000 (39.4)	292 (11.5)	24.5 (54.0)
Type II - 101.6 mm (4.0") high	05731	1000 (39.4)	597 (23.5)	77.1 (170.0)

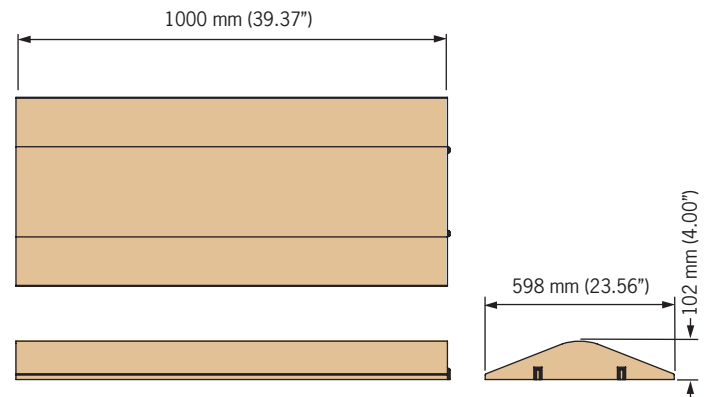
Type I Curb - Spill Containment Capacity (liters)

Ft	5	10	15	20	25	30	35	40	45	50
5	136.2									
10	272.5	541.3								
15	408.8	813.8	1222.6							
20	541.3	1086.4	1627.7	2172.8						
25	677.5	1355.1	2036.5	2714.1	3391.7					
30	813.8	1627.7	2441.5	3255.4	4069.3	4883.1				
35	950.1	1900.2	2850.4	2800.5	4750.6	5700.8	6647.1			
40	1464.9	2172.8	3255.4	4341.8	5428.3	6514.7	7597.3	8683.7		
45	1222.6	2441.5	3664.3	4883.2	6102.8	7328.5	8547.4	9770.1	10992.8	
50	1355.1	2714.1	4069.3	5428.3	6783.5	8142.4	9497.6	10856.6	12211.7	13570.7



Type II Curb - Spill Containment Capacity (liters)

Ft	5	10	15	20	25	30	35	40	45	50
5	234.7									
10	473.1	942.5								
15	707.8	1415.7	2123.6							
20	942.5	1889.0	2831.4	3774.0						
25	1181.0	2358.3	3539.3	4720.4	5901.4					
30	1415.7	2831.4	4247.2	5663.0	7078.7	8494.4				
35	1650.4	3304.6	4955.1	6609.3	8259.7	9910.2	11564.4			
40	1889.0	3774.1	5663.0	7551.8	9440.8	11326.0	13214.8	15103.7		
45	2123.6	4247.2	6370.8	8494.4	10618.1	12741.7	14869.1	16992.7	19116.3	
50	2358.3	4720.4	7078.7	9440.8	11799.1	14161.2	16519.5	18877.8	21240.0	23598.3



Installation

Note: A chemical resistant grout or two-part adhesive suitable for the application is required to set curbs in place and seal joints.

1. Locate and install all trench drains and sub floor plumbing prior to setting spill curbs.
2. Mark out position of curbs on floor,
3. When curbs are set end to end, installation spacers help align curbs and leave 3/16" gap for injection of adhesive.
4. If necessary, use a carborundum or diamond circular saw to cut curbs to required size. Wear appropriate protection to avoid breathing dust generated from sawing. Do not attempt to score and break curbing.
5. Finish installation by filling seams and any gaps or holes, smooth as necessary.
6. Allow a minimum 24 hours of curing before use.

ACO Systems, Ltd.

1-2880 Brighton Rd.
Oakville, ON L6H 5S3
Phone: (905) 829-0665
Fax: (905) 829-2908

Electronic Contact:

info@accan.ca
www.acoenvironment.ca



© December 2018 ACO Systems, Ltd.

All reasonable care has been taken in compiling the information in this document. All recommendations and suggestions on the use of ACO products are made without guarantee since the conditions of use are beyond the control of the company. It is the customer's responsibility to ensure that each product is fit for its intended purpose and that the actual conditions of use are suitable. ACO, Inc. reserves the right to change products and specifications without notice.

Re-order Part # CEL003 v1.0



Re-order CEL004